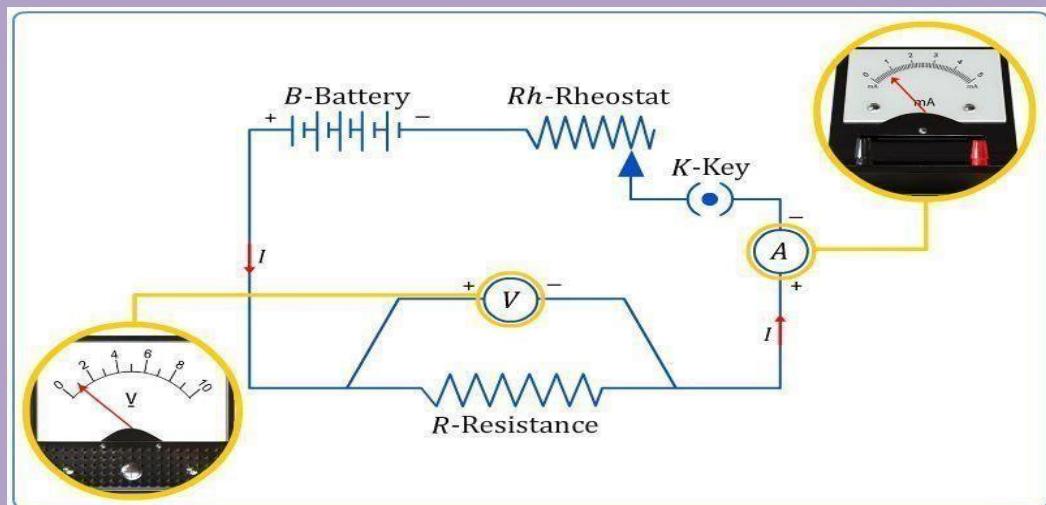


DELHI PUBLIC SCHOOL, JAMMU
SESSION -2022-23
HOLIDAY HOMEWORK
SUBJECT-SCIENCE
CLASS- X

Physics

Perform an experiment on Ohm's law and prepare a project by pasting diagrams of electronic devices with their use in ohm's law circuit.



The project report should include:

1. Observations in Ohm's law
2. Connection of various devices in circuit.
3. Functions of all devices
4. Idea about linear and non-linear conductors

Link : <https://youtu.be/t0zXLxut7mc>

Chemistry



1. Show that Aluminum is an active element by experimenting on it .

What to do: a) Watch video DEMIC for reference

b) perform two activities based on the video with Aluminium foil and click photographs while doing so.

c) Note down the observations

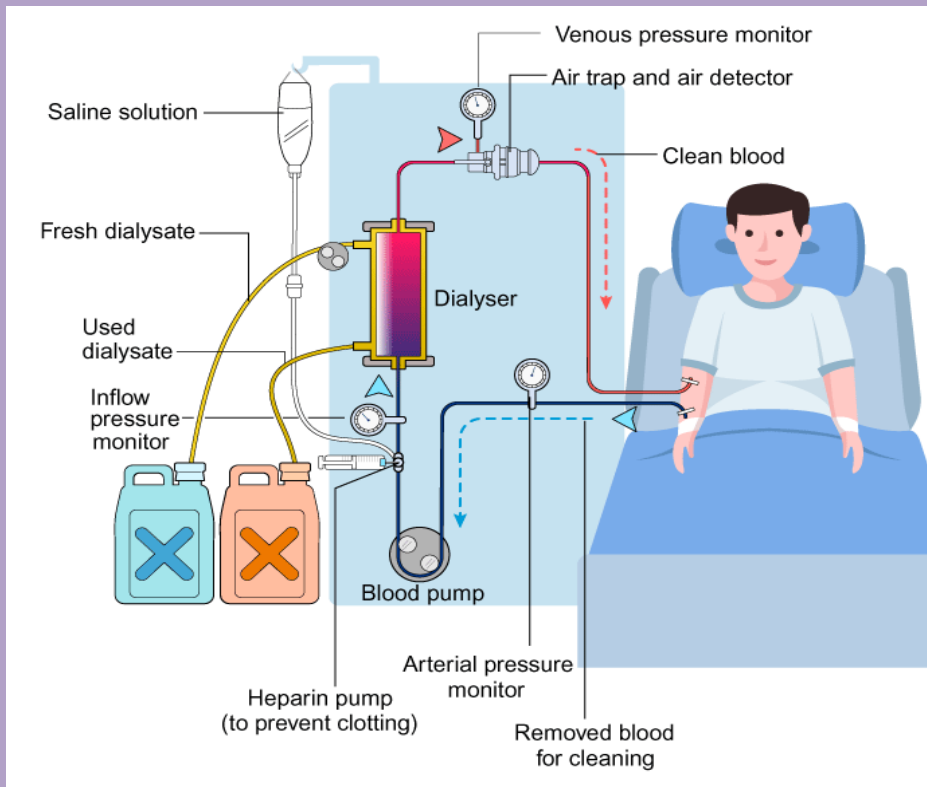
Where to do : Write your views on the A4 size sheet, paste pictures showcasing the use of Aluminium foil & also write it's role in creating the pollution in the environment.

2. Do practice manual questions of chapter- Chemical Reactions and Equations in your chemistry notebook.

Link: <https://youtu.be/aar6heL-oLU>

Biology

Q1.REPORT: Make a report on Artificial Kidney or Haemodialysis.



Q2. ACTIVITY: Write about 10 food items that increase our immunity and also mention how they do so.

https://youtu.be/b_wxaHwJ0aM

Note:

**The Activity should be done manually and the project should be handwritten and done on a file* (A4 size sheets) with proper acknowledgement, certificate and bibliography.*

**For performing activity you can take help from given YouTube links.*

**Submit your Holiday Homework to your respective Subject Teacher by 14th of July, 2022. Your submission will carry 10 marks.*

(5 marks- Content & Research, 3marks- Presentation, 2 marks- creativity).

***USE SEPARATE FILES FOR PHYSICS, CHEMISTRY & BIOLOGY.**